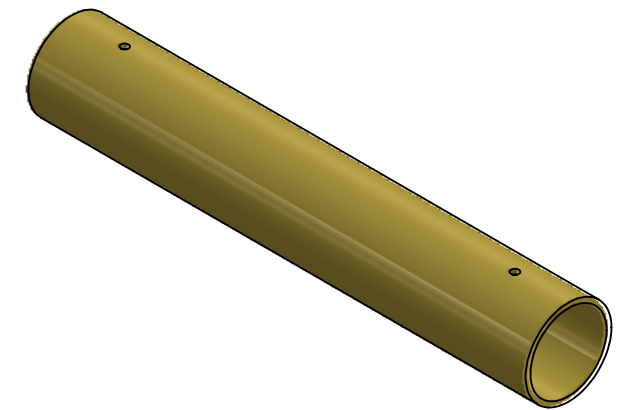
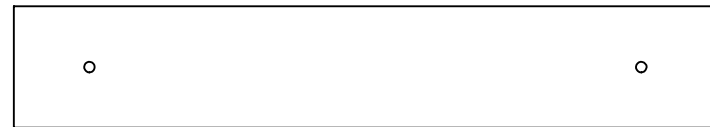
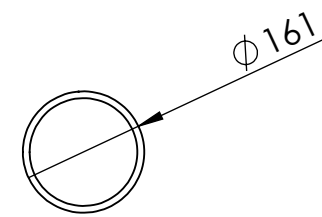
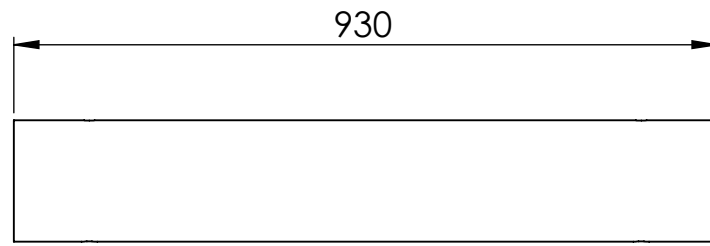


Revision: B	Designer:	Date: 15/12/2021
	Approved By: CP	Approved Date: 21-10-2022



Raw material:N/A	
Material: N/A	
Tolerance: 2768-1 m	Weight (g):3789.51
Colour: N/A	
Drawing NO:DFVB-R	
Description: dflexx Charlie beam $\phi 160 \times 930$ mm	