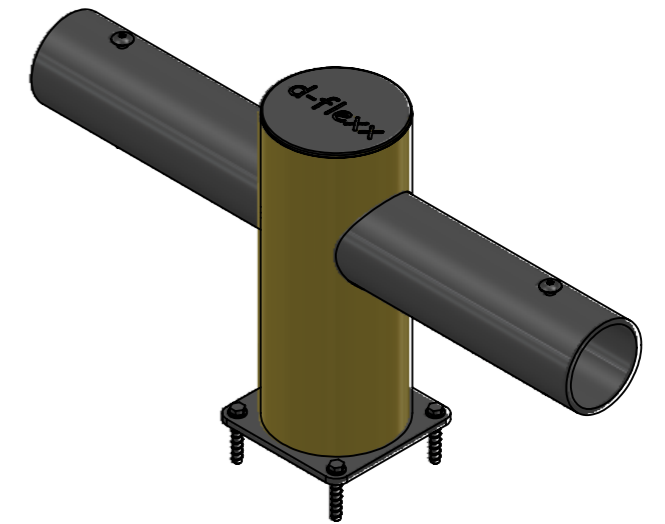
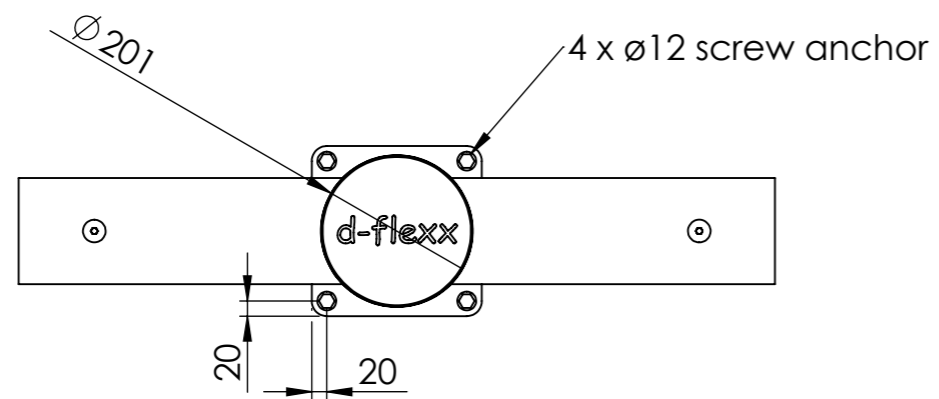
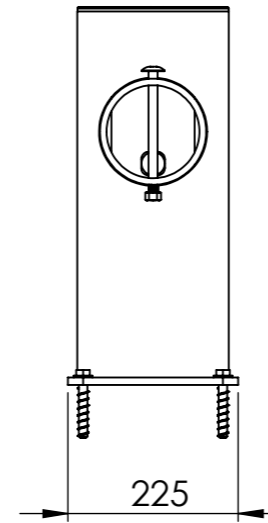
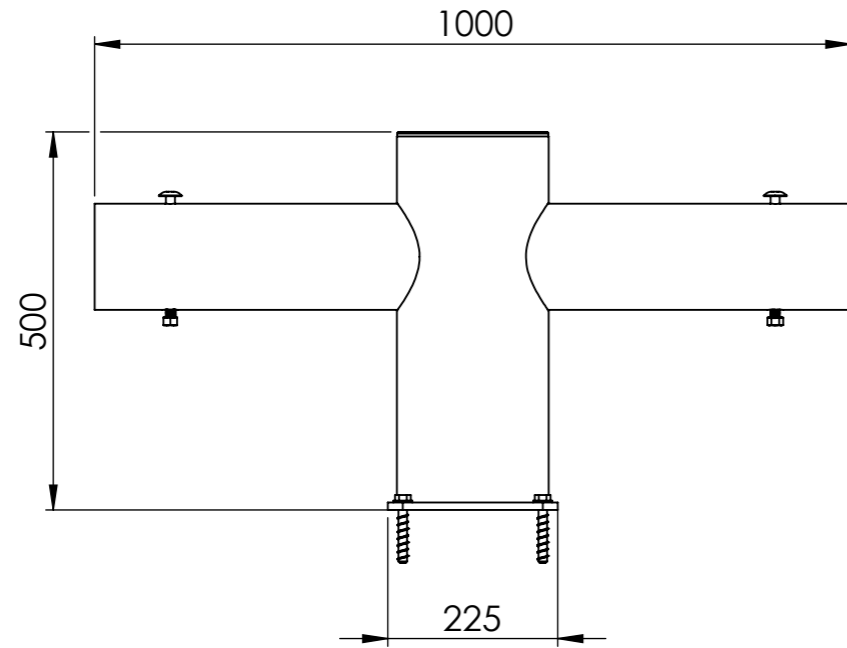


Revision: B	Designer:	Date: 15/12/2021
	Approved By: CP	Approved Date: 21-10-2022



Raw material: N/A	
Material: N/A	
Tolerance: 2768-1 m	Weight (g): 15431.85
Colour: N/A	
Drawing NO: DFVB-M	
Description: dflexx Charlie middle post $\varnothing 200 \times 516$ mm	
If nothing else specified all edges must be chamfered	SHEET 3 OF 3 Scale: 1:10 SIZE: A3