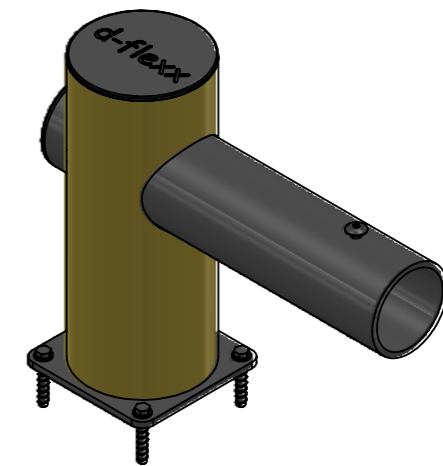
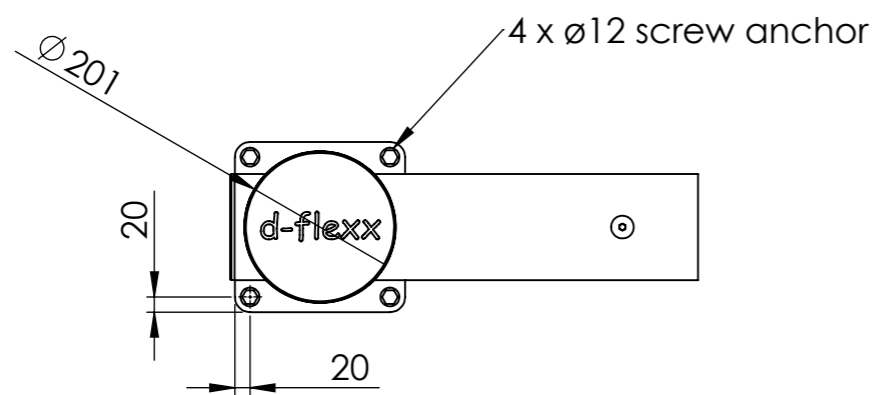
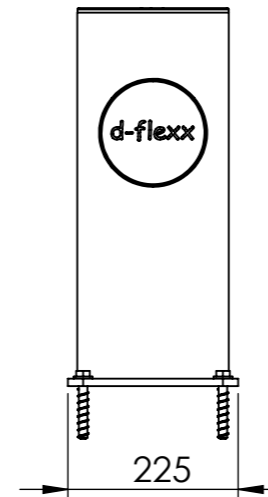
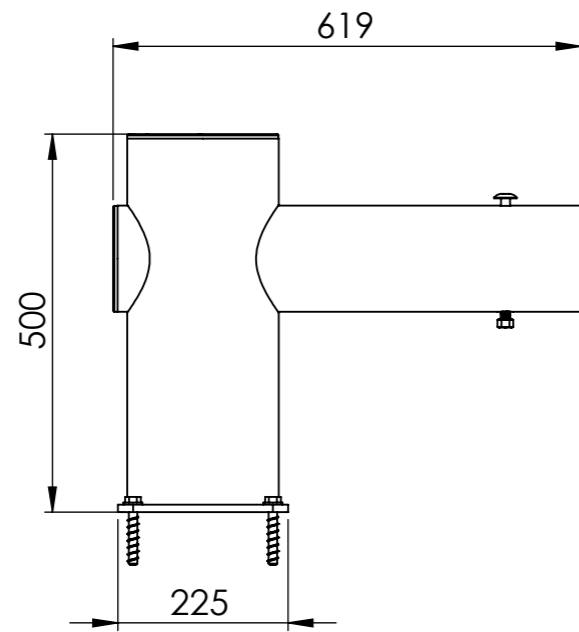


Revision: B	Designer:	Date: 15/12/2021
	Approved By: CP	Approved Date: 21-10-2022



Raw material: N/A	
Material: N/A	
Tolerance: 2768-1 m	Weight (g): 14041.22
Colour: N/A	
Drawing NO: DFVB-E	
Description: d-flexx Charlie endpost 619 x "TXD2@Scheme2" x 500	
If nothing else specified all edges must be chamfered	SHEET 3 OF 3 Scale: 1:10 SIZE: A3