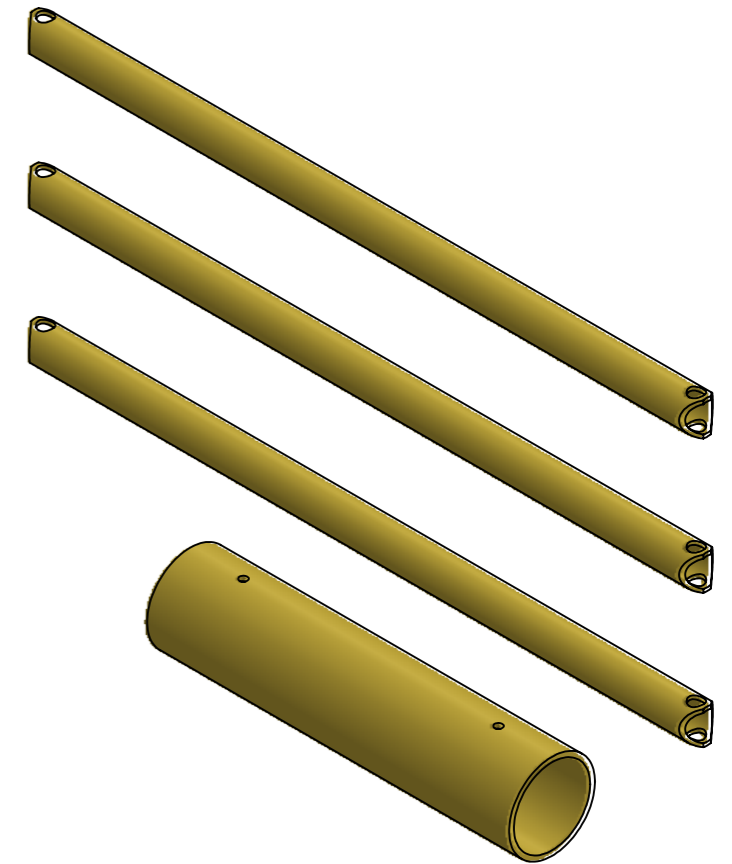
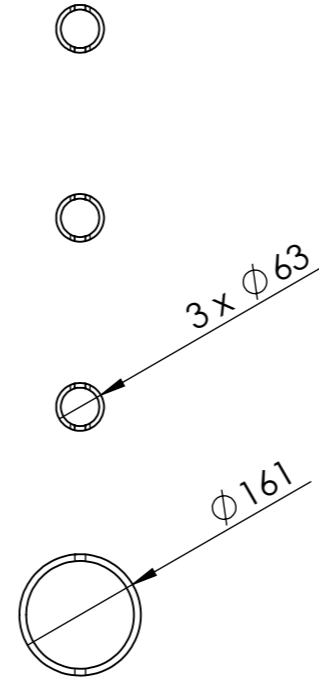
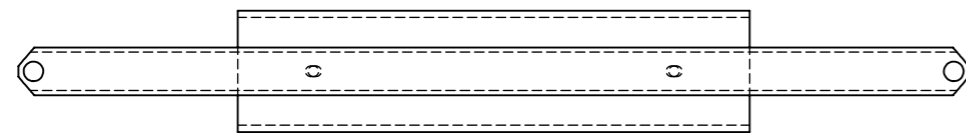
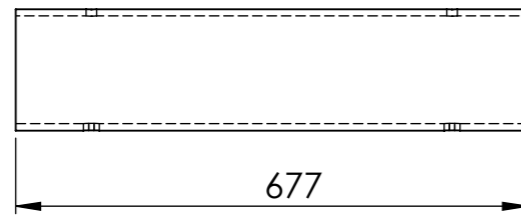
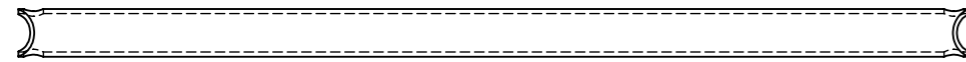
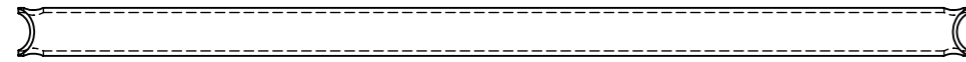
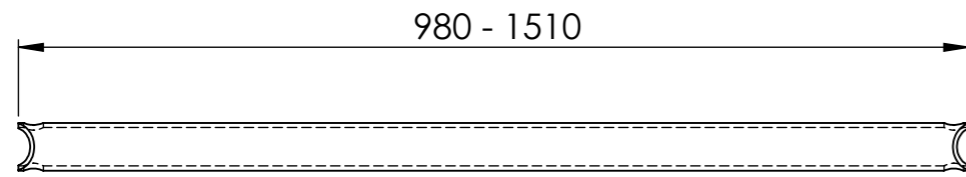


Revision: B	Designer:	Date: 14/12/2021
	Approved By: CP	Approved Date: 21-10-2022



Raw material: N/A	
Material: N/A	
Tolerance: 2768-1 m	Weight (g): 6636.99
Colour: N/A	
Drawing NO: DFVB+HI	
Description: dflexx Echo plus ind. beamset ø63/ø110 x 980-1510mm	
If nothing else specified all edges must be chamfered	SHEET 3 OF 3 Scale: 1:10 SIZE: A3