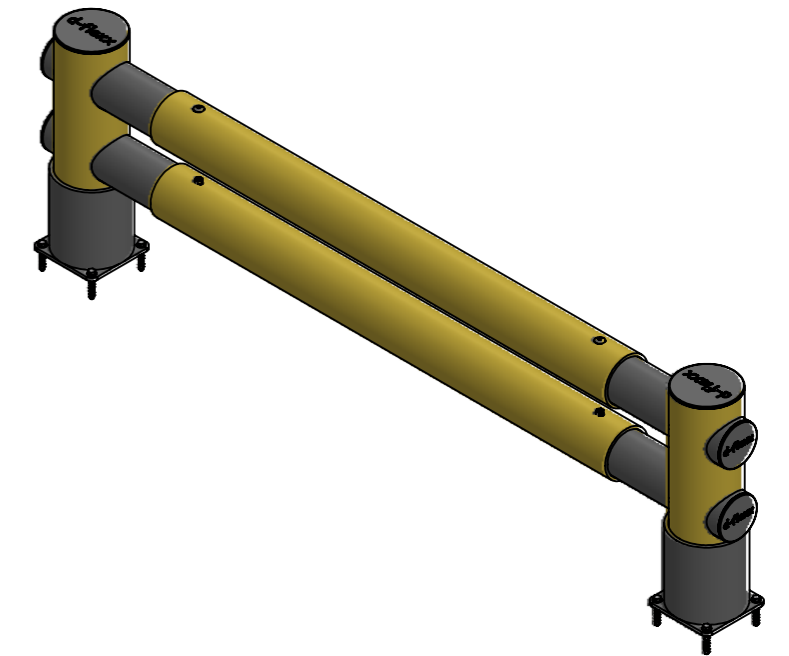
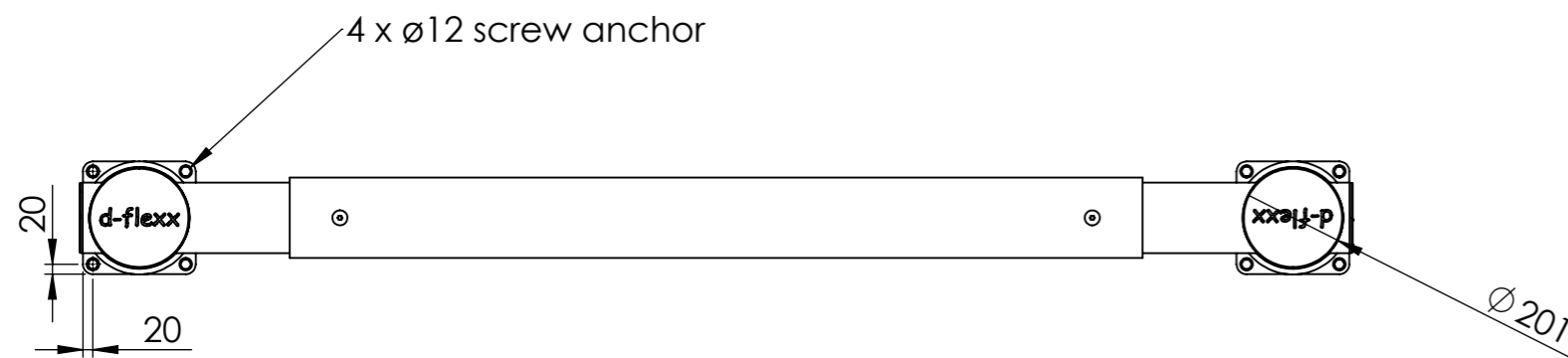
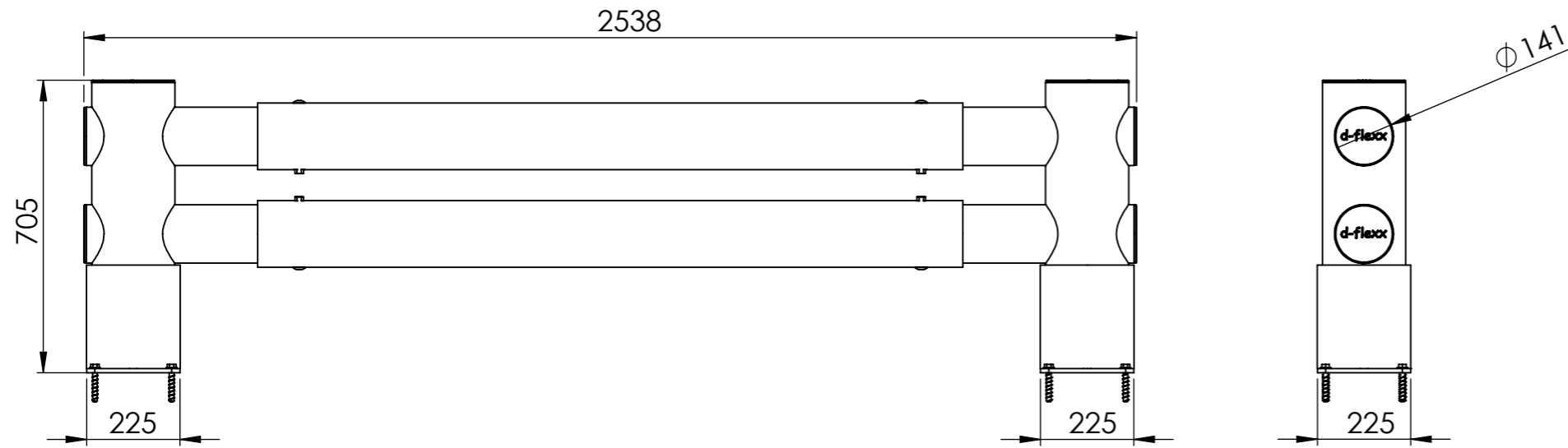


Revision: C	Designer:	Date: 13/12/2021
	Approved By: CP	Approved Date: 21-10-2022



Raw material: N/A	
Material: N/A	
Tolerance: ISO 2768-1, Medium	Weight (g): 53867.94
Colour: N/A	
Drawing NO: DFRE2-4	
Description: d-flexx Golf rack-end barrier 2-rails 2538mm	
If nothing else specified all edges must be chamfered	SHEET 3 OF 3 Scale: 1:15 SIZE: A3

All dimensions are in mm unless otherwise specified