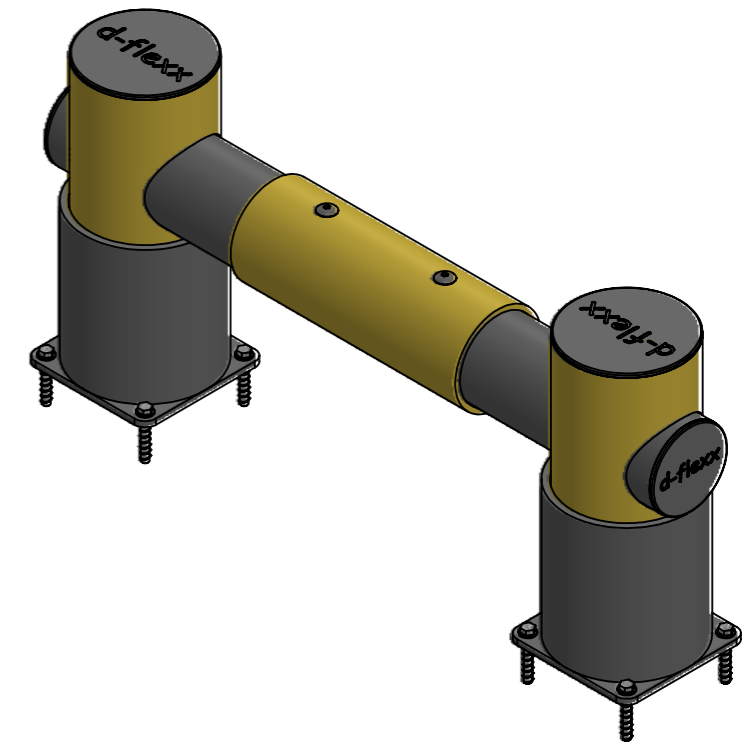
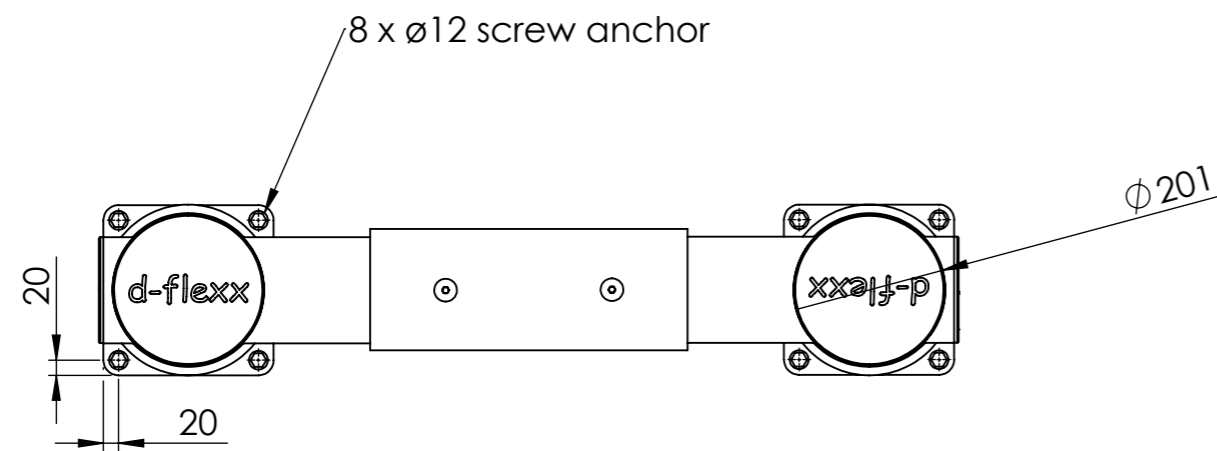
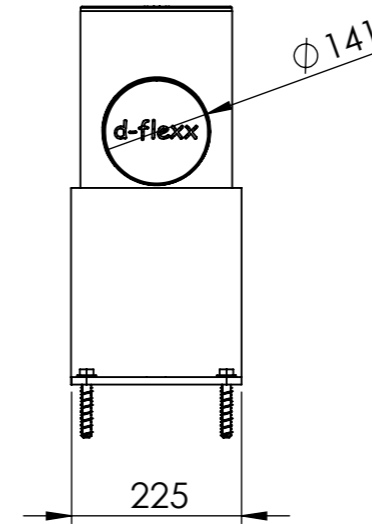
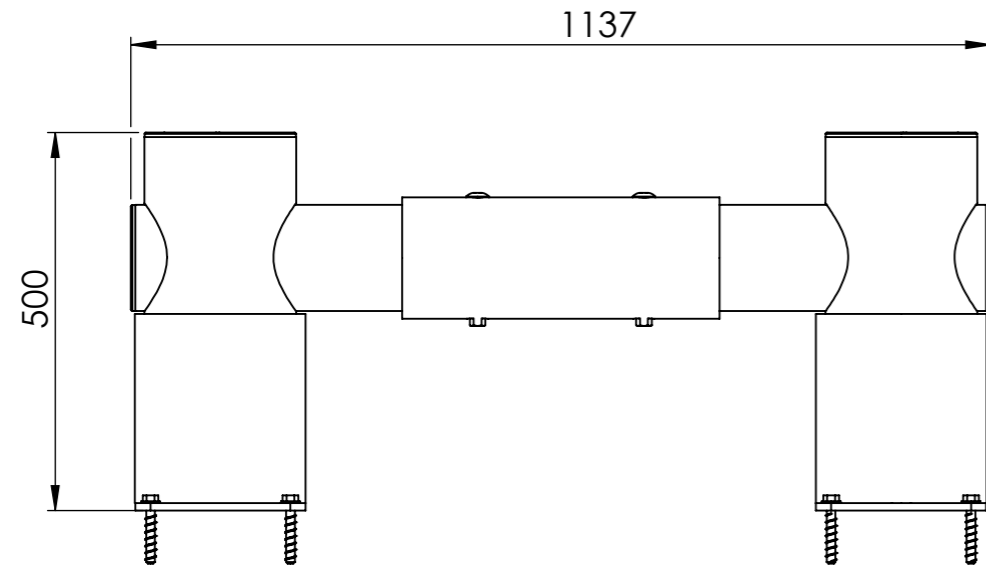


Revision: C	Designer:	Date: 13/12/2021
	Approved By: CP	Approved Date: 21-10-2022



Raw material: N/A	
Material: N/A	
Tolerance: 2768-1 m	Weight (g): 32963.27
Colour: N/A	
Drawing NO: DFRE1-2	
Description: d-flexx Golf rack-end barrier 1137mm	