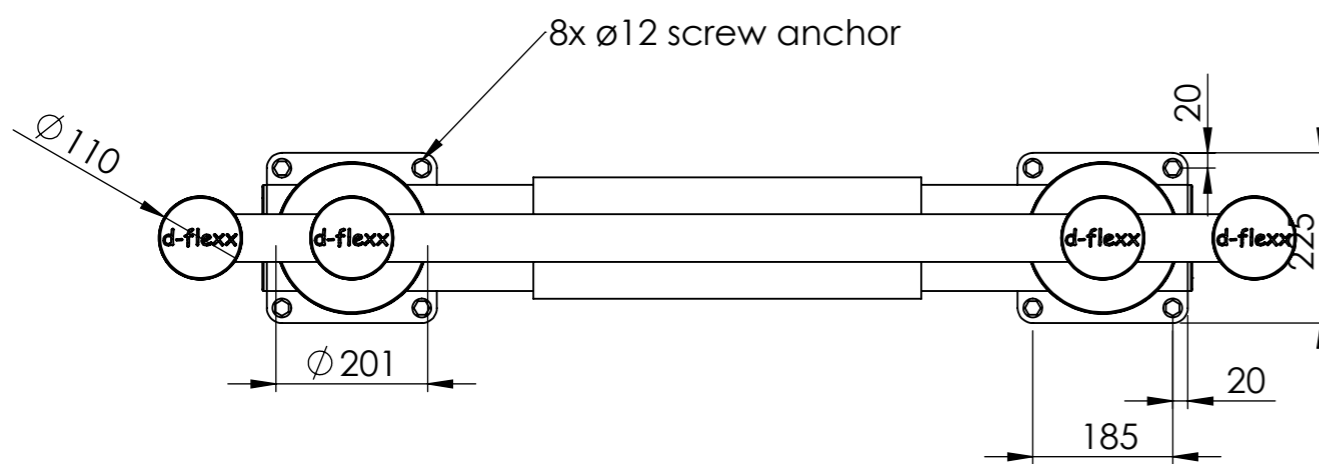
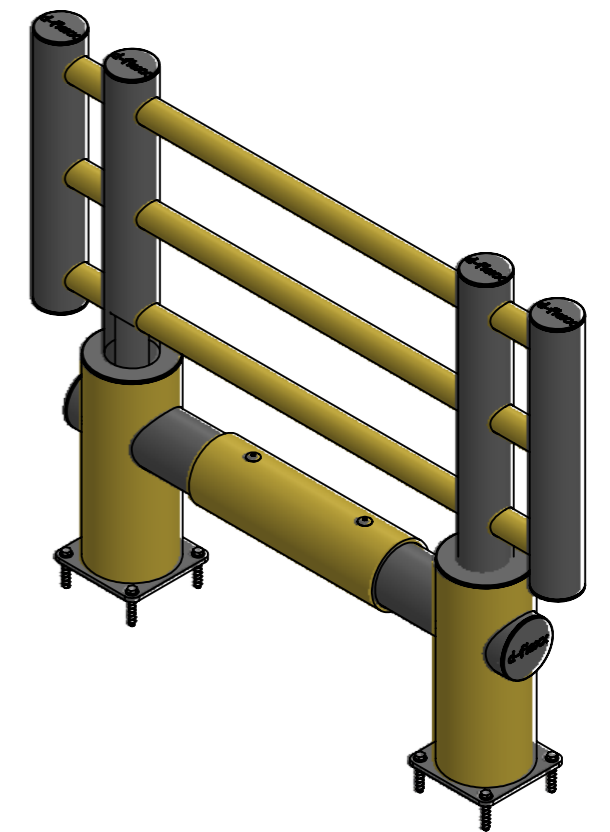
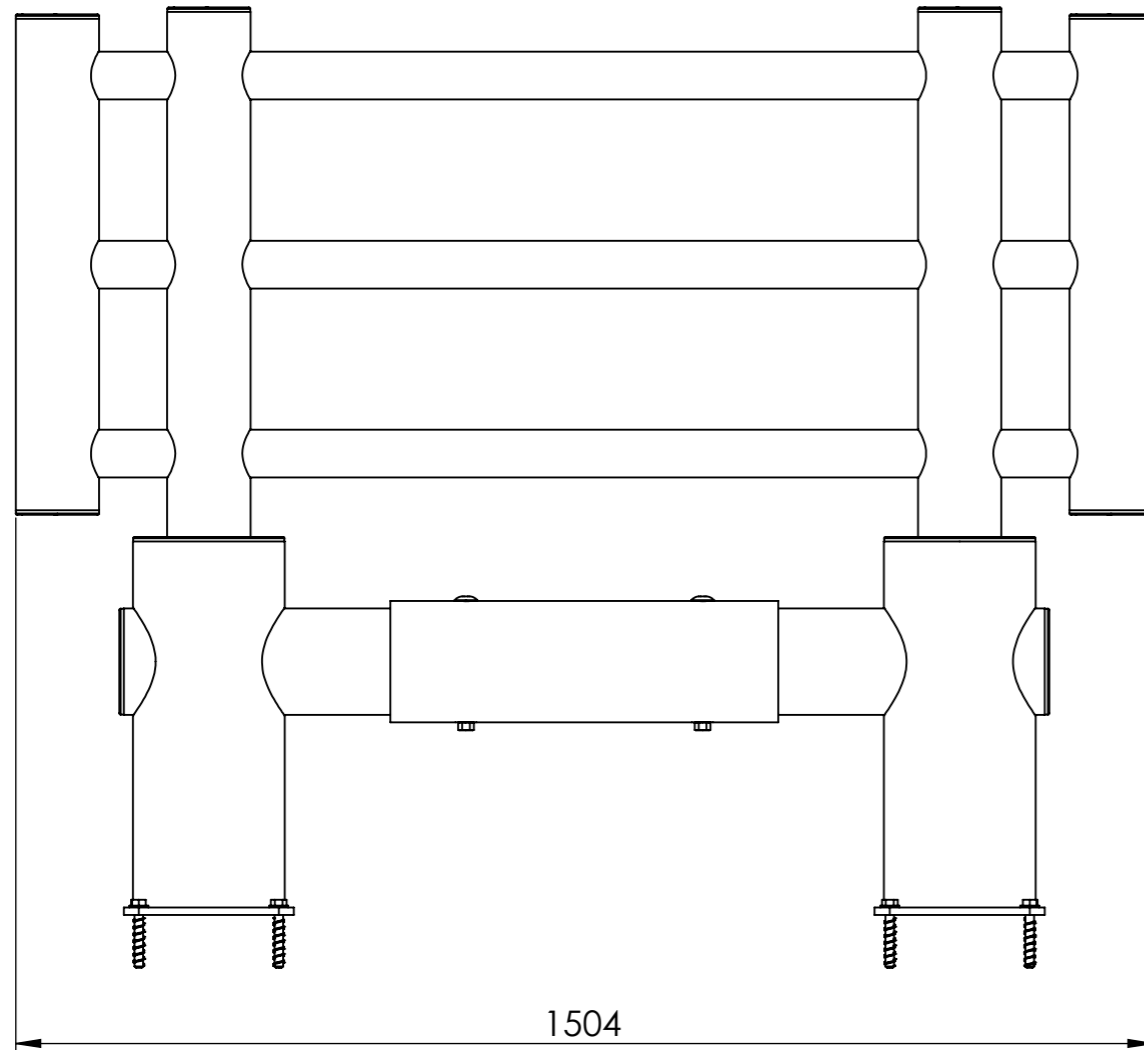


Revision: D	Designer:	Date: 09/12/2021
	Approved By: CP	Approved Date: 21-10-2022



Raw material: N/A	
Material: N/A	
Tolerance: 2768-1 m	Weight (g): 44877.47
Colour: N/A	
Drawing NO: DFKI+FU2	
Description: d-flexx Kilo barrier 1503mm	