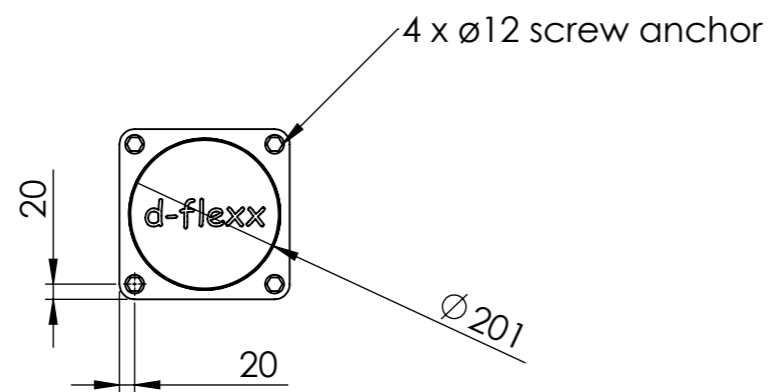
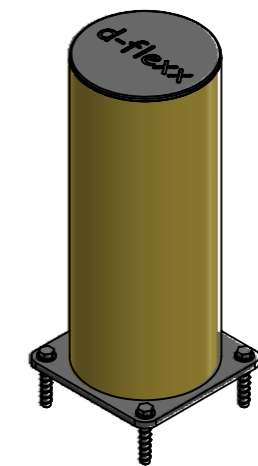
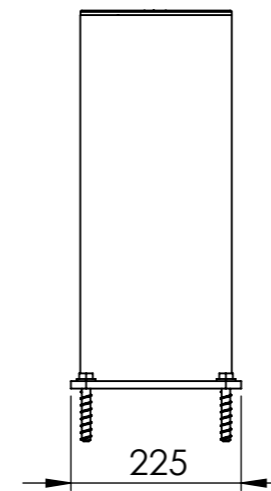
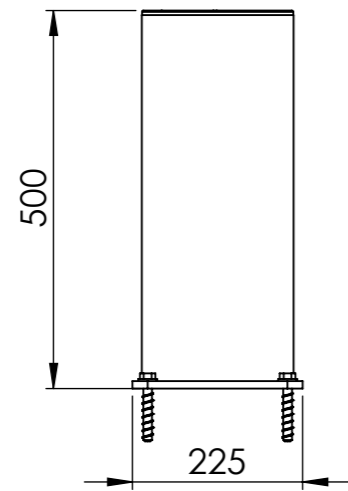


Revision: C	Designer:	Date: 14/12/2021
	Approved By: CP	Approved Date: 21-10-2022



Raw material: N/A	
Material: N/A	
Tolerance: 2768-1 m	Weight (g): 12307.86
Colour: N/A	
Drawing NO: DFBO50-40	
Description: dflexx Bravo bollard $\varnothing 200 \times 516$ mm	

All dimensions are in mm unless otherwise specified

If nothing else specified all edges must be chamfered

SHEET 3 OF 3

Scale: 1:10

SIZE: A3