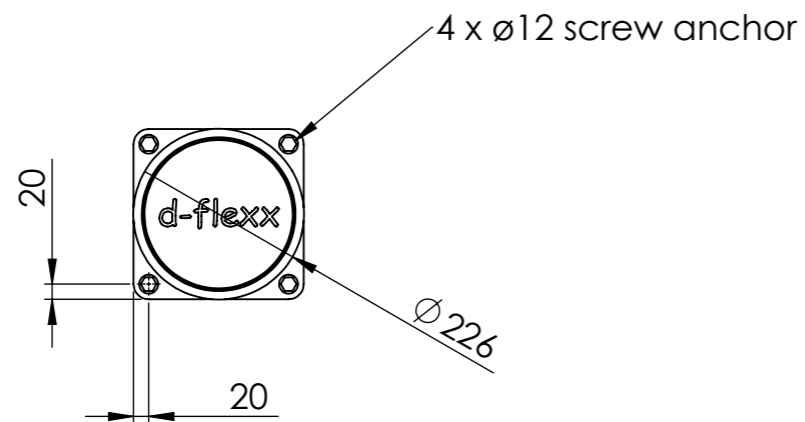
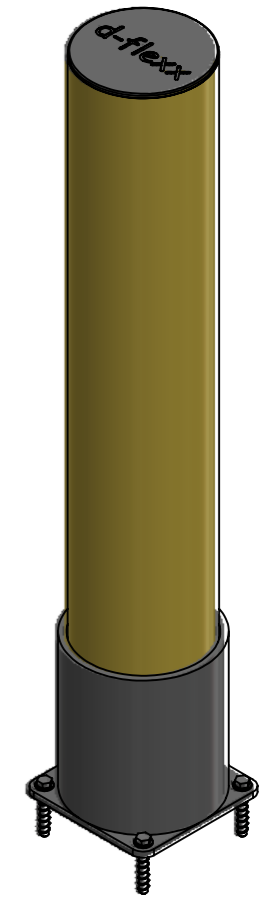
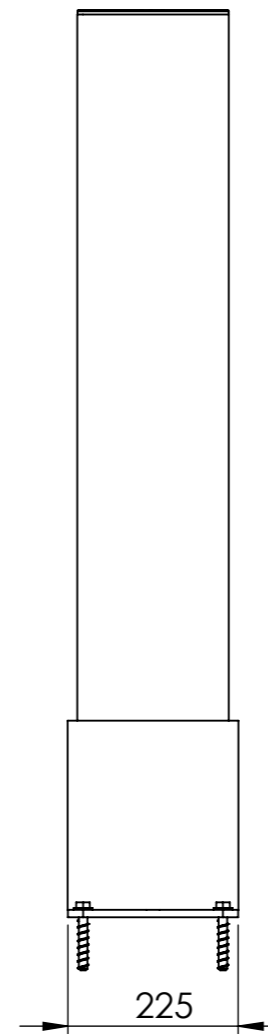
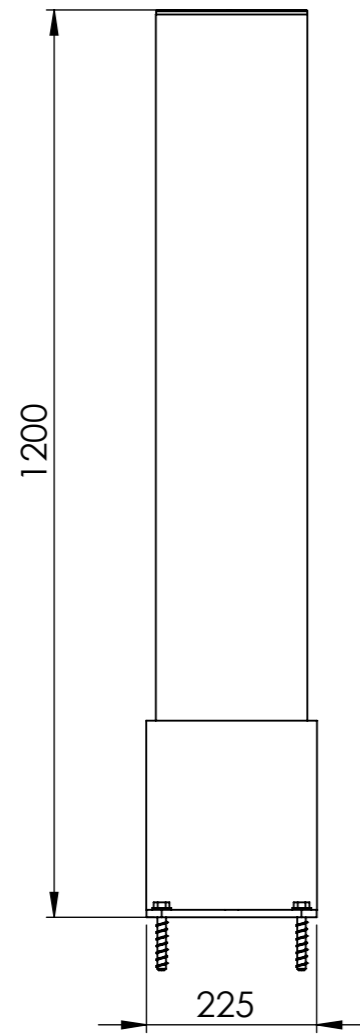


Revision: C	Designer:	Date: 14/12/2021
	Approved By: CP	Approved Date: 21-10-2022



Raw material: N/A	
Material: N/A	
Tolerance: 2768-1 m	Weight (g): 21101.56
Colour: N/A	
Drawing NO: DFBO50-30	
Description: dflexx Bravo bollard $\varnothing 225 \times 1216$ mm	