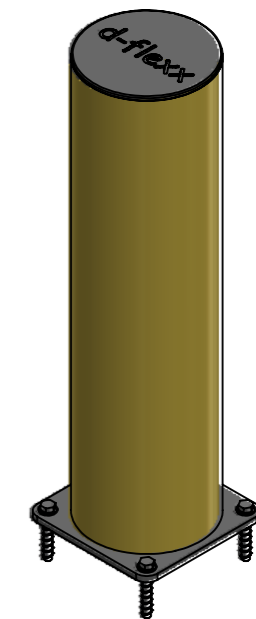
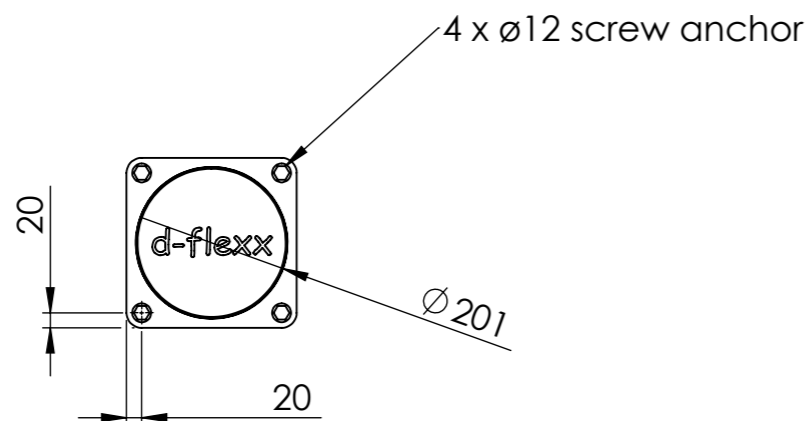
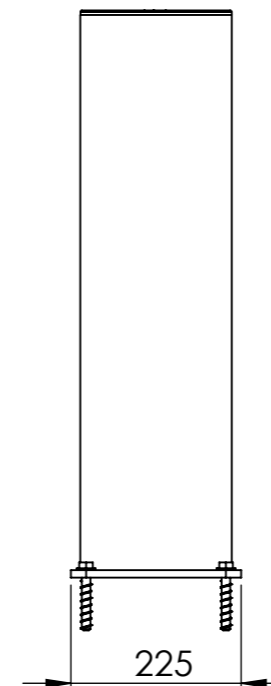
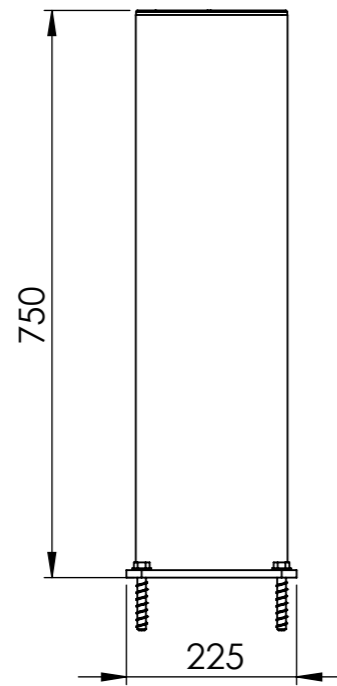


Revision: C	Designer:	Date: 14/12/2021
	Approved By: CP	Approved Date: 21-10-2022



Raw material: N/A	
Material: N/A	
Tolerance: 2768-1 m	Weight (g): 16123.80
Colour: N/A	
Drawing NO: DFBO50-20	
Description: dflexx Bravo bollard ø200 x 766mm	
If nothing else specified all edges must be chamfered	SHEET 3 OF 3 Scale: 1:10 SIZE: A3

All dimensions are in mm unless otherwise specified