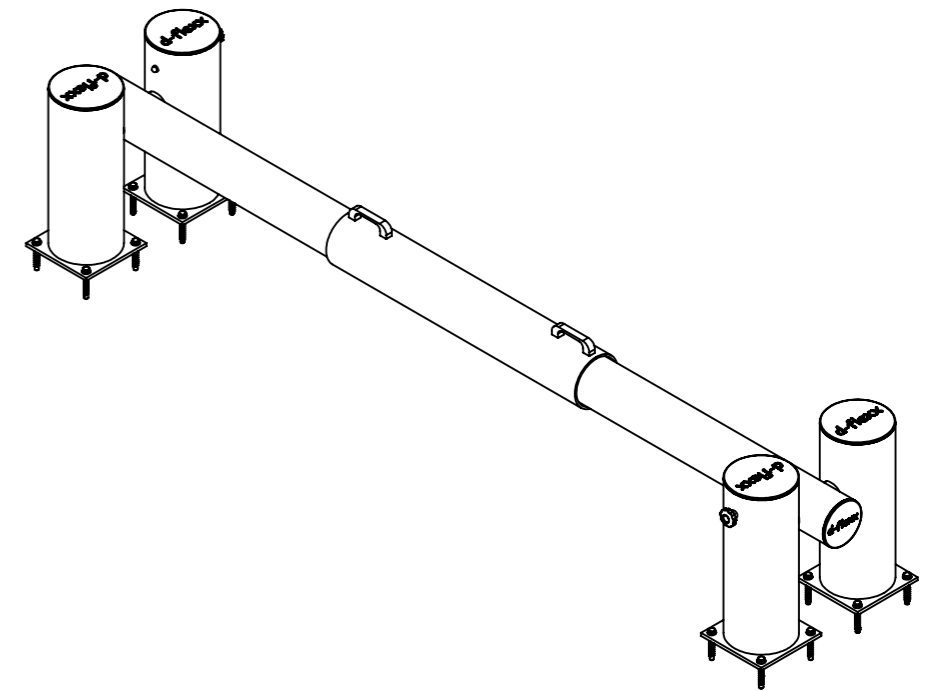
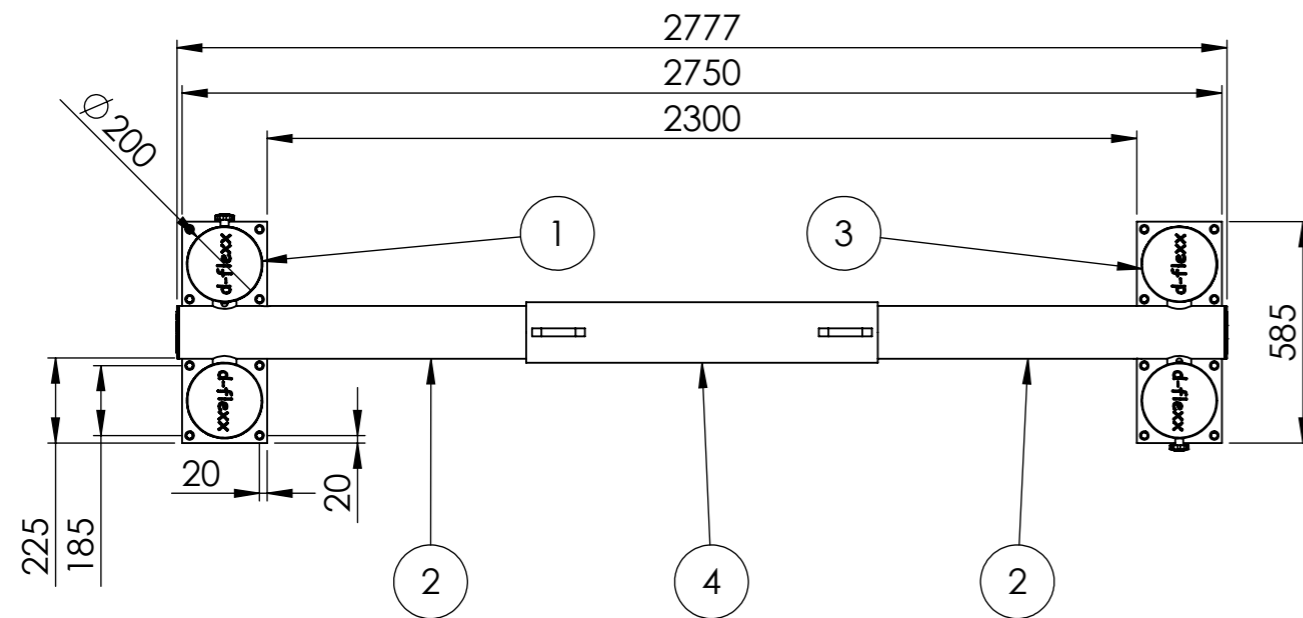
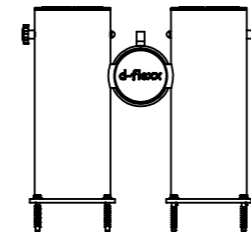
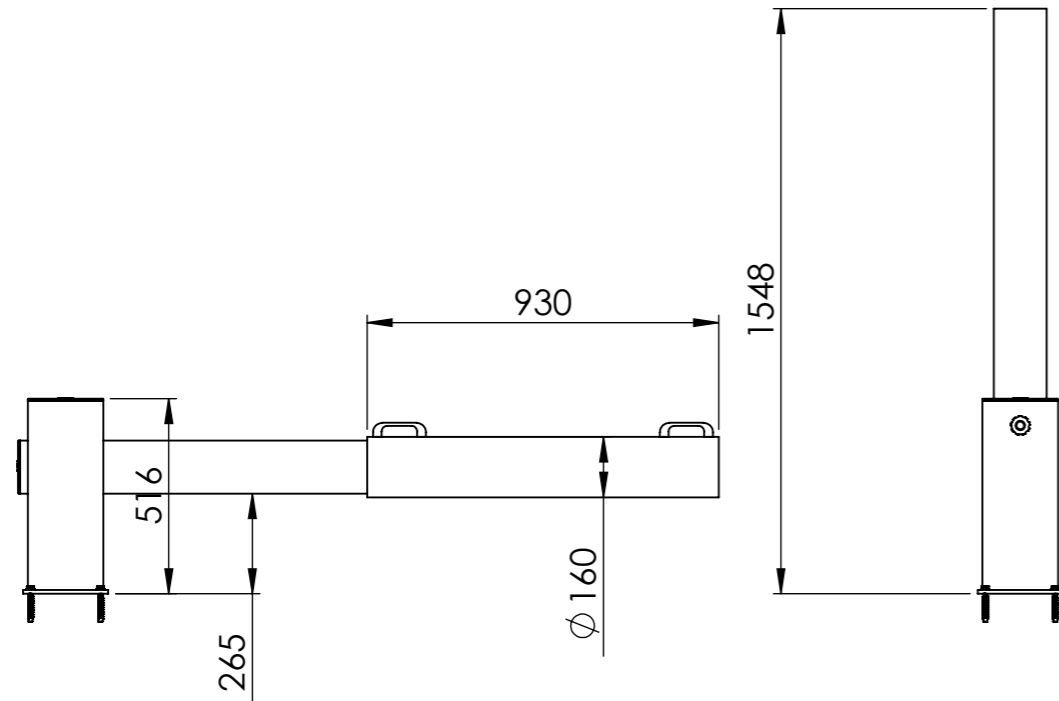


DFNO-W2300



ITEM NO.	PART NUMBER	DESCRIPTION	QTY.
1	DFNO-PL	Dock gate "November" post	2
2	DFNO-1S2300	Gate pipe	2
3	DFNO-P	Dock gate "November" post	2
4	DFNO-SLI	November Connection pipe	1

DESIGNER:	DATE: 31/03/2020	SCALE: 1:20	SIZE: A3
LAST SAVED BY: Christian Poulsen	LAST SAVED DATE: 31/03/2020		
	RAW MATERIAL:		
	TOLERANCES: 2768-1 m		
	MATERIAL:		
	COLOR:	Revision A	
DRAWING NO.: DFNO-W2300			
TITLE:			
SHEET 1 OF 1			

All dimensions are in mm unless otherwise specified

All rights strictly reserved. Reproduction or issue to third parties in any form whatever, is not permitted without written authority from the proprietor