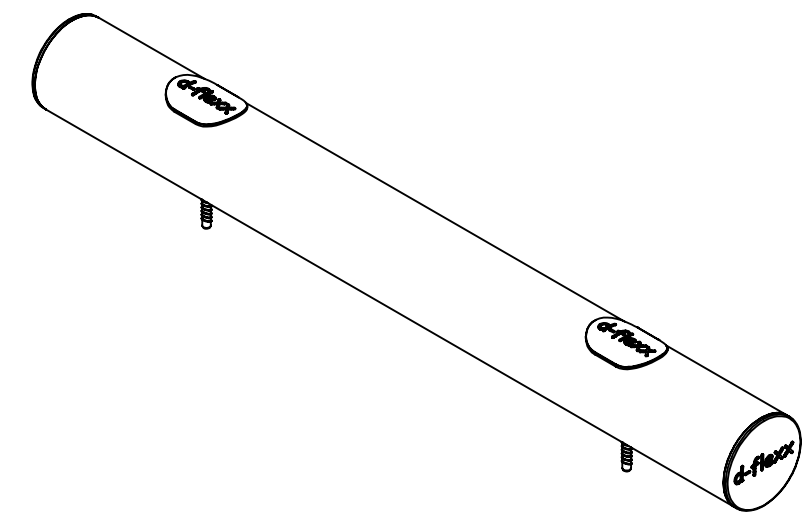


Mike  
DFKB-1



SECTION A-A

ITEM NO.	PART NUMBER	DESCRIPTION	QTY.
1	82003	140x131x1288 mm	1
2	82001	Custom bracket	2
3	82002	Cap fork protector	2
4	76041	Ø160 Cap with logo	2
5	876.35-7	Washer 30x17x3	2
6	75002	Fischer Ultracut FBS II	2

DESIGNER: Christian Poulsen      DATE: 16/04/2019    SCALE:1:10    SIZE:A3  
 LAST SAVED BY: christian      LAST SAVED DATE:29/04/2019



All rights strictly reserved. Reproduction or issue to third parties in any form whatever, is not permitted without written authority from the proprietor

RAW MATERIAL:  
 TOLERANCES:  
 MATERIAL:  
 COLOR:  
 DRAWING NO.: DFKB-1  
 TITLE: Mike  
 SHEET 1 OF 1