

SWINGDOOR JULIET ECHO



Material Properties

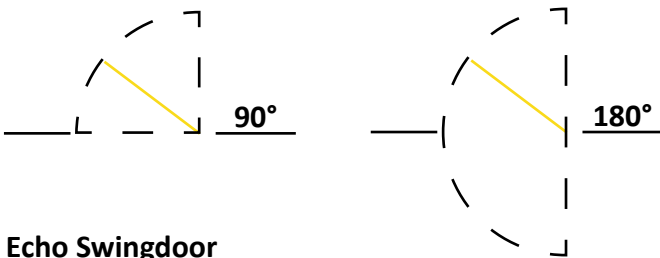
Chemical Resistance	high- ISO/TR 10358
Temperature Range	-10° up to + 50°
Deflection zone	250 mm

Environment

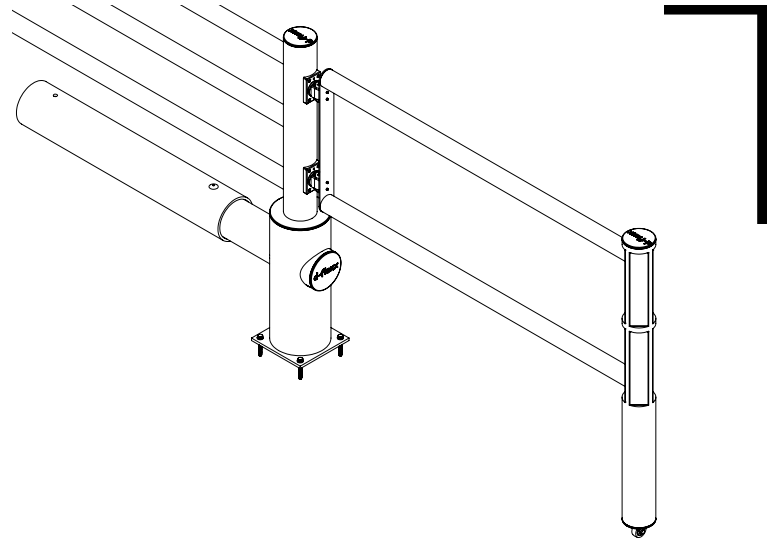
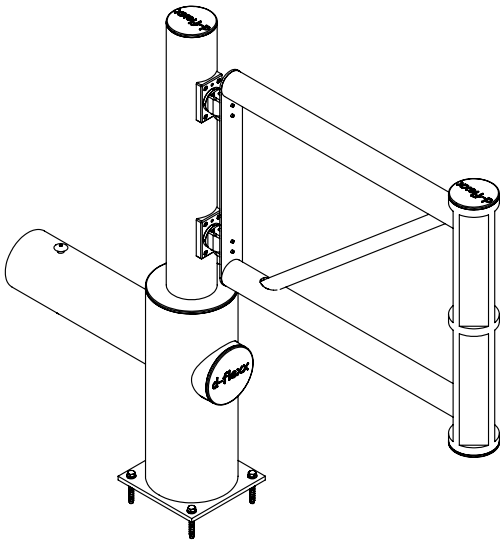
CO ₂ / m ³	20 kg
Recyclability	100%

Other

Standard Warranty 5 years



Echo Swingdoor



Art. No.	Description	Weight
DFJU+TM	Middle post for Juliet swing door in the „Echo“ system	12,8 kg
DFJU+TT	T-post 90° for Juliet swing door in the „Echo“ system	16,7 kg
DFJU+TW90L	Corner post 90° left for Juliet swing door in the „Echo“ system	15,7 kg
DFJU+TW90R	Corner post 90° right for Juliet swing door in the „Echo“ system	15,7 kg
DFJU+TE	End post „Echo“ for Juliet swing door	12,8 kg

Article description	Middle post for Juliet swing door in the „Echo“ System
Item number	DFJU+TM
EAN	4250912312821
Customs tariff number	39269097
Height	1200 mm
Width	225 mm
Length	619 mm
Diameter	
Deflection zone	250 mm
Net weight	12,8 kg
Material	Polyethylene
Color	Yellow (like RAL 1023 traffic yellow) / black
Indoor use	Yes
Outdoor use	Yes
Boreholes	4
Fixing	The fixing material is included. The Fischer ULTRACUT FBS II is the perfect powerful concrete screw for top installation comfort.
Fixing dimensions	M12X85

Material Properties

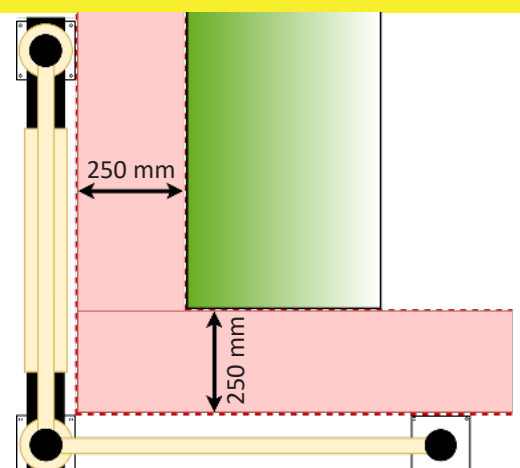
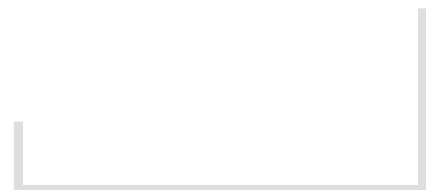
Chemical Resistance	high- ISO/TR 10358
Temperature Range	-10° up to + 50°

Environment

CO2 / m ³	20 kg
Recyclability	100%

Other

Standard Warranty 5 years



Article description T-post for Juliet swing door in the „Echo“ System

Item number DFJU+TT

EAN 4250912395053

Customs tariff number 39269097



Height 1200 mm

Width 225 mm

Length 1000 mm

Diameter

Deflection zone 250 mm

Net weight 16,7 kg

Material Polyethylene

Color Yellow (like RAL 1023 traffic yellow) / black

Indoor use Yes

Outdoor use Yes

Boreholes 4

Fixing The fixing material is included. The Fischer ULTRACUT FBS II is the perfect powerful concrete screw for top installation comfort.

Fixing dimensions M12X85

Material Properties

Chemical Resistance high- ISO/TR 10358

Temperature Range -10° up to + 50°

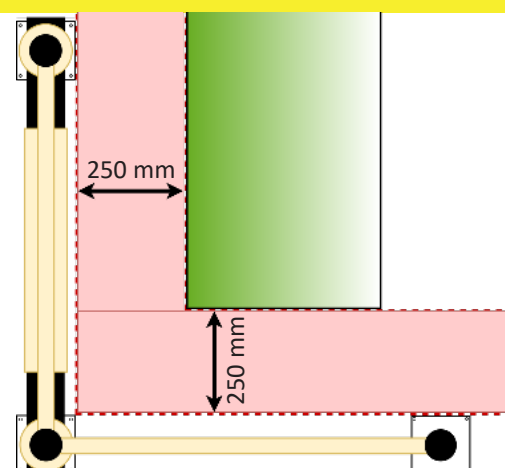
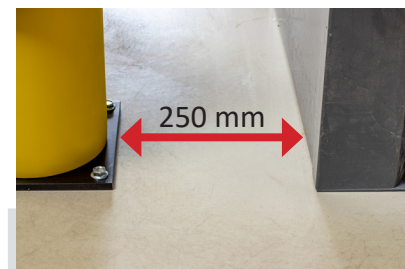
Environment

CO2 / m³ 20 kg

Recyclability 100%

Other

Standard Warranty 5 years



Article description	Corner post left for Juliet swing door in the „Echo“ System
Item number	DFJU+TW90L
EAN	4250912395268
Customs tariff number	39269097
Height	1200 mm
Width	225 mm
Length	220 mm
Diameter	
Deflection zone	250 mm
Net weight	15,7 kg
Material	Polyethylene
Color	Yellow (like RAL 1023 traffic yellow) / black
Indoor use	Yes
Outdoor use	Yes
Boreholes	4
Fixing	The fixing material is included. The Fischer ULTRACUT FBS II is the perfect powerful concrete screw for top installation comfort.
Fixing dimensions	M12X85



Material Properties

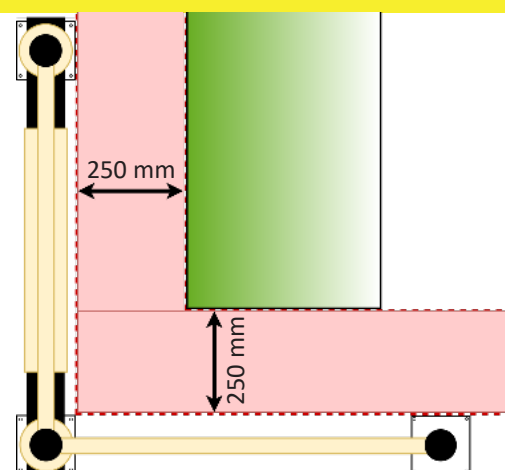
Chemical Resistance	high- ISO/TR 10358
Temperature Range	-10° up to + 50°

Environment

CO2 / m ³	20 kg
Recyclability	100%

Other

Standard Warranty 5 years



Article description

Corner post right for Juliet swing door in the „Echo“ System

**Item number**

DFJU+TW90R

EAN

4250912395275

Customs tariff number

39269097

Height

1200 mm

Width

225 mm

Length

220 mm

Diameter**Deflection zone**

250 mm

Net weight

15,7 kg

Material

Polyethylene

Color

Yellow (like RAL 1023 traffic yellow) / black

Indoor use

Yes

Outdoor use

Yes

Boreholes

4

Fixing

The fixing material is included. The Fischer ULTRACUT FBS II is the perfect powerful concrete screw for top installation comfort.

Fixing dimensions

M12X85

Material Properties

Chemical Resistance

high- ISO/TR 10358

Temperature Range

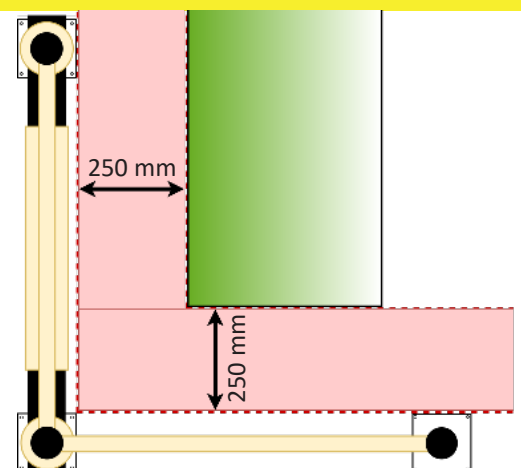
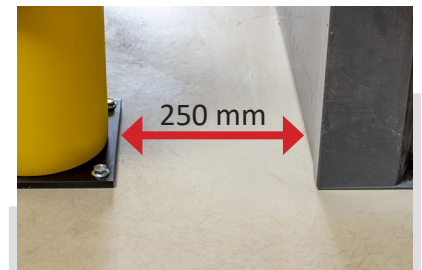
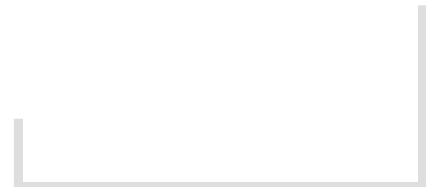
-10° up to + 50°

EnvironmentCO₂ / m³ 20 kg

Recyclability 100%

Other

Standard Warranty 5 years



Article description Endpost for swing door Juliet in „Echo“ System
Item number DFJU+TE
EAN 4250912395046
Customs tariff number 39269097



Height 1200 mm
Width 225 mm
Length 220 mm
Diameter
Deflection zone 250 mm

Net weight 12,8 kg
Material Polyethylene
Color Yellow (like RAL 1023 traffic yellow) / black
Indoor use Yes
Outdoor use Yes
Boreholes 4

Fixing The fixing material is included. The Fischer ULTRACUT FBS II is the perfect powerful concrete screw for top installation comfort.

Fixing dimensions M12X85

Material Properties

Chemical Resistance high- ISO/TR 10358
Temperature Range -10° up to + 50°

Environment

CO2 / m³ 20 kg
Recyclability 100%

Other

Standard Warranty 5 years

