

MOBILE PLATE FOR POSTS OF D-FLEXX



Technical Information

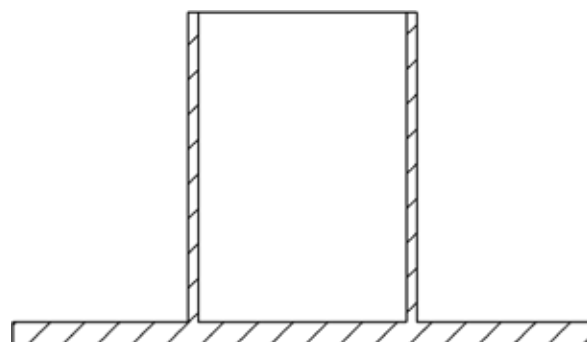
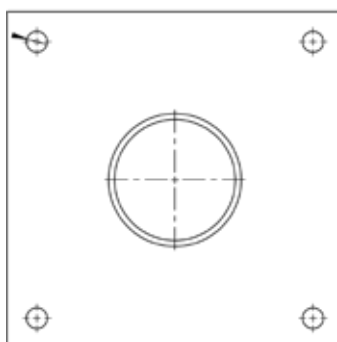
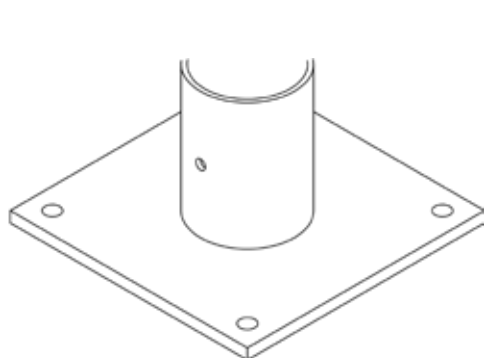
Description	Mobile Plate for posts of d-flexx
Art. No.	DFFS-SP
Dimensions	230 x 240 mm
Total height	18 mm
For ground plates of	225 x 225 mm
For posts of	Ø 110 mm
Net weight	2,1 kg
Material	Steel, galvanized and powder coated
Colour	Black
Inddor use	Yes
Outdoor use	Yes
Fixing ground / post	4 drill holes Ø 12,5 mm 4 drill holes (included)
Delivery	UPS



Description	The mobile plate enables fast and simple mounting and disassembling of "DELTA" and "FOXTROT" barrier posts of the brand d-flexx.
-------------	--



Testcenter Video



Article description Slider plate
Item number DFFS-SP
EAN 4250912311688
Customs tariff number 39269097

Height 21 mm
Width 240 mm
Length 330 mm
Diameter

Net weight 4,4 kg / m

Material steel

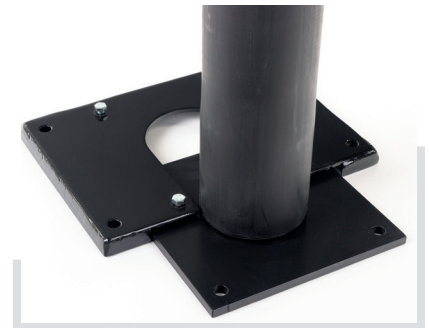
Color black

Indoor use Yes

Outdoor use Yes

Boreholes 4

Fixing The fixing material is included. The Fischer ULTRACUT FBS II is the perfect powerful concrete screw for top installation comfort.



Material Properties

Chemical Resistance high- ISO/TR 10358

Temperature Range -10° up to + 50°

Environment

CO2 / m³ 18,5 kg

Recyclability 100%

Other

Standard Warranty 5 years

